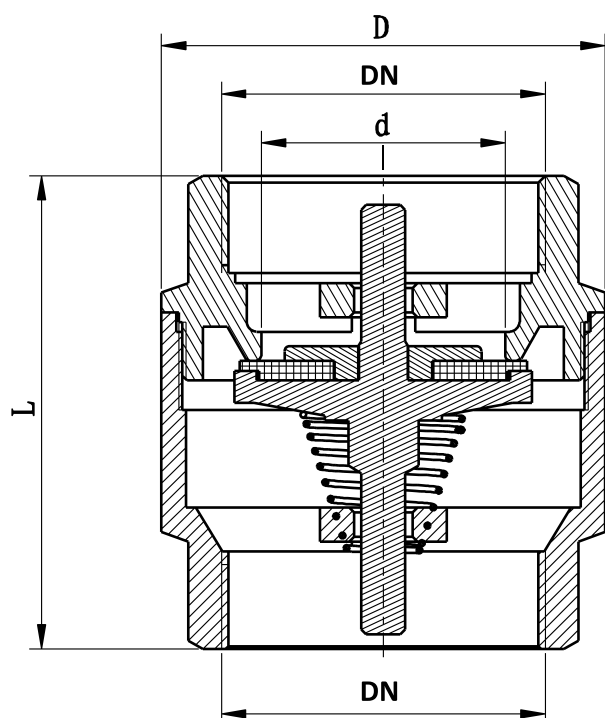


NYLON DISC SPRING CHECK VALVE

BRASS VALVES



GVF CODE	DN SIZE (mm)	D (mm)	L (mm)	d (mm)	WEIGHT (kg)
B1CV015	15	30	48	15	0.11
B1CV020	20	37	53	20	0.16
B1CV025	25	44	58	25	0.24
B1CV032	32	56	66	37	0.36
B1CV040	40	63	71	42	0.5
B1CV050	50	78	80	53	0.78
B1CV065	65	103	93	68	1.28
B1CV080	80	120	104	78	1.82
B1CV100	100	155	119	100	3.1

MATERIALS	
Body	Brass
Bonnet	Brass
Core	Nylon
Core Stem	Nylon
Disc	Nylon
Seal	NBR
Spring	Stainless Steel

SPECIFICATIONS	
Max Working Temperature	
70°C	
Cold Working Pressure	
DN15 - 25	1600 kPa
DN32 - 50	1000 kPa
DN65 - 100	800 kPa

STANDARD
Thread
BSP to ISO 7-1