

DR "T" HANDLE BALL HOSE COCK

DR VALVES

VALVES

GALVANISED
MALLEABLE

STAINLESS
STEEL FITTINGS

BLACK & GAL
STEEL FITTINGS

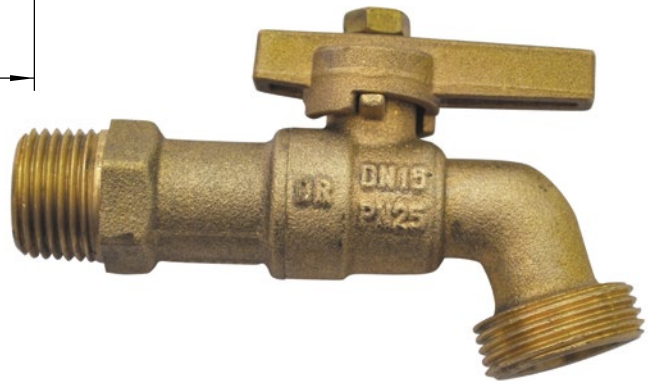
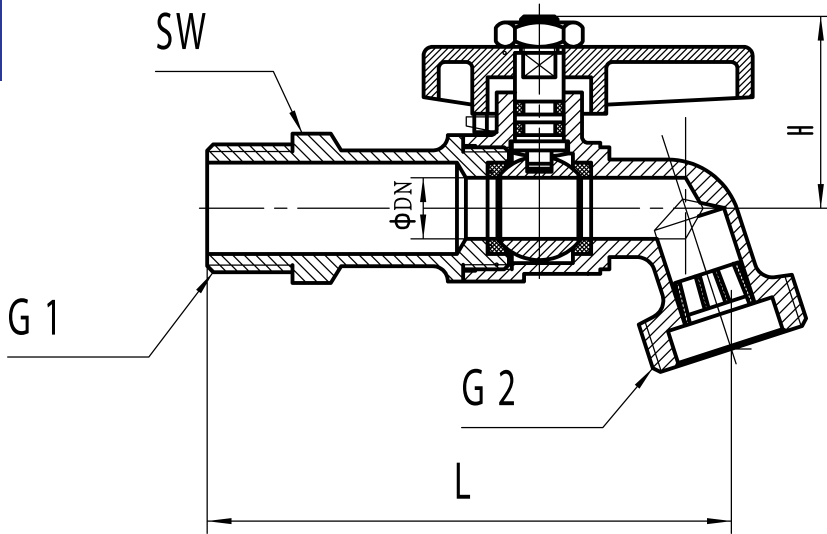
HIGH PRESSURE
FITTINGS

CAMLOCKS

ROLL GROOVE

BUTT WELD

FLANGES



GVF CODE	DN SIZE G1 (mm)	DN SIZE G2 (mm)	DN BORE (mm)	SW (mm)	L (mm)	H (mm)	WEIGHT (kg)
BBBCDRT015	15	20	10	22	86	32	0.18
BBBCDRT020	20	25	12	28	100	34	0.25

MATERIALS	
Body	DZR Brass
Bonnet	DZR Brass
Seal	PTFE
Ball	CP DZR Brass
O Ring	Viton
Stem	DZR Brass
Handle	Brass
Nut	Brass

SPECIFICATIONS
Max Working Temperature
150°C
Cold Working Pressure
2500 kPa

STANDARD
Thread
BSP to ISO 7-1

