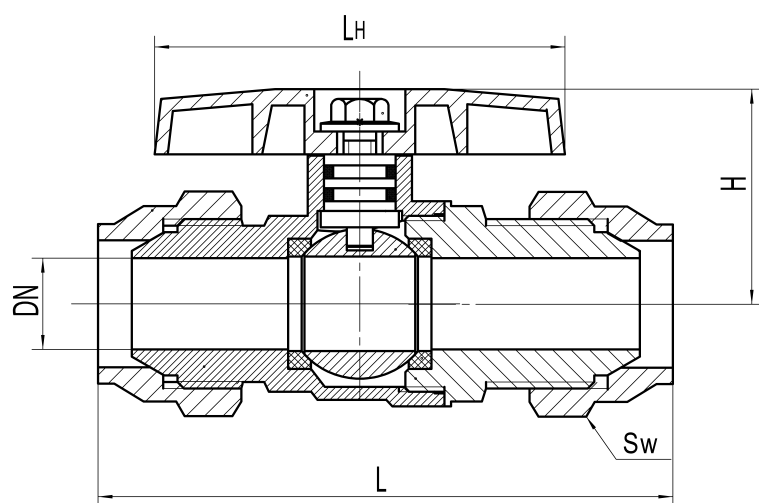


# FLARED "T" HANDLE GAS COCK

## GAS APPROVED VALVES



GVF CODE	DN SIZE (mm)	DN BORE (mm)	L (mm)	H (mm)	SW (mm)	LH (mm)	WEIGHT (kg)
BBVDF010	10	7	79	31	22	63	0.25
BBVDF015	15	10	84	31	22	63	0.25
BBVDF020	20	14	88	33	30	63	0.4

MATERIALS	
Body	NP Brass
Bonnet	NP Brass
Seal	PTFE
Ball	CP Brass
O Ring	NBR
Stem	NP Brass
Handle	Aluminium
Bolt	Steel
Flare Nut	NP Brass

SPECIFICATIONS
Max Working Temperature
80°C
Cold Working Pressure
2500 kPa

STANDARD
BSP to ISO 228-1
60° Flare



VALVES

GALVANISED  
MALLEABLESTAINLESS  
STEEL FITTINGSBLACK & GAL  
STEEL FITTINGSHIGH PRESSURE  
FITTINGS

CAMLOCKS

ROLL GROOVE

BUTTWELD

FLANGES