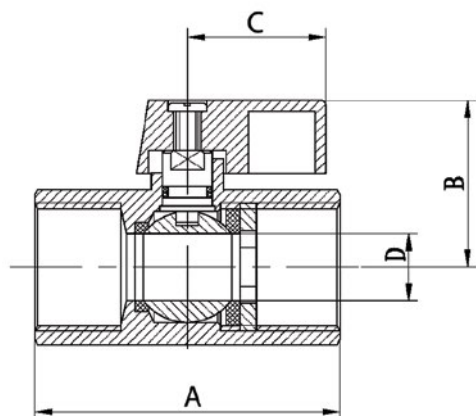
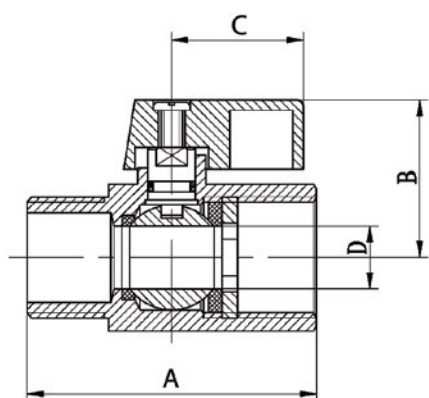


# MINI BALL VALVE F/F & M/F

## GENERAL INDUSTRY VALVES



| GVF CODE | DN SIZE (mm) | A (mm) | B (mm) | C (mm) | D (mm) | WEIGHT (kg) |
|----------|--------------|--------|--------|--------|--------|-------------|
| BBVM008  | 8            | 40.5   | 25     | 22     | 7.5    | 0.09        |
| BBVM010  | 10           | 41.5   | 25     | 22     | 7.5    | 0.08        |
| BBVM015  | 15           | 44.5   | 28     | 22     | 10     | 0.11        |
| BBVM020  | 20           | 53.5   | 30     | 22     | 12     | 0.15        |



| GVF CODE  | DN SIZE (mm) | A (mm) | B (mm) | C (mm) | D (mm) | WEIGHT (kg) |
|-----------|--------------|--------|--------|--------|--------|-------------|
| BBVMMF008 | 8            | 40.5   | 25     | 22     | 7.5    | 0.08        |
| BBVMMF010 | 10           | 41.5   | 25     | 22     | 7.5    | 0.07        |
| BBVMMF015 | 15           | 44.5   | 28     | 22     | 10     | 0.1         |
| BBVMMF020 | 20           | 53.5   | 30     | 22     | 12     | 0.14        |

| MATERIALS |           |
|-----------|-----------|
| Body      | NP Brass  |
| Seal      | PTFE      |
| Ball      | CP Brass  |
| Handle    | Cast Iron |

| SPECIFICATIONS          |
|-------------------------|
| Max Working Temperature |
| 120°C                   |
| Cold Working Pressure   |
| 2500 kPa                |

| STANDARD                  |
|---------------------------|
| Thread                    |
| BSP to ISO 228-1 (Female) |
| BSP to ISO 7-1 (Male)     |

VALVES

GALVANISED  
MALLEABLESTAINLESS  
STEEL FITTINGSBLACK & GAL  
STEEL FITTINGSHIGH PRESSURE  
FITTINGS

CAMLOCKS

ROLL GROOVE

BUTTWELD

FLANGES