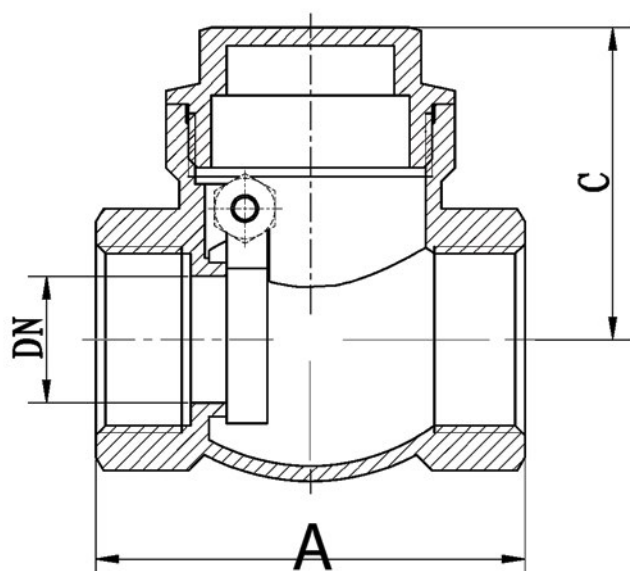


BRASS SWING CHECK VALVE (DL)

GENERAL INDUSTRY BRASS VALVES



GVF CODE	DN SIZE (mm)	A (mm)	C (mm)	WEIGHT (Kg)
BCV015	15	47.5	34.5	0.16
BCV020	20	56	39	0.22
BCV025	25	63	46.5	0.33
BCV032	32	71	51	0.52
BCV040	40	80.5	59.5	0.75
BCV050	50	93	67	1.09
BCV065	65	105	77	1.84
BCV080	80	123	81	2.54
BCV100	100	162	101	4.56

MATERIALS	
Body	Brass
Bonnet	Brass
Hinge Pin	Brass

SPECIFICATIONS
Max Working Temperature
120°C
Cold Working Pressure
1600 kPa

STANDARD
Thread
BSP to ISO 228-1

VALVES

GALVANISED
MALLEABLESTAINLESS
STEEL FITTINGSBLACK & GAL
STEEL FITTINGSHIGH PRESSURE
FITTINGS

CAMLOCKS

ROLL GROOVE

BUTTWELD

FLANGES