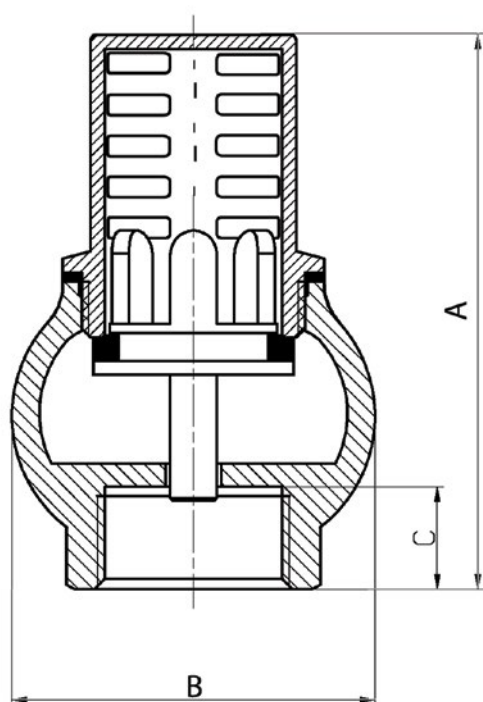


BRASS FOOT VALVE (DL)

BRASS VALVES



GVF CODE	DN SIZE (mm)	A (mm)	B (mm)	C (mm)	WEIGHT (kg)
BFTV015	15	59.5	39	11	0.12
BFTV020	20	70.5	45	11	0.16
BFTV025	25	82	51	14	0.24
BFTV032	32	94.5	61	16	0.39
BFTV040	40	102	68.5	16	0.54
BFTV050	50	119.5	80	18.5	0.74
BFTV065	65	138.5	101.5	28	1.43
BFTV080	80	176.5	122.5	37	2.23
BFTV100	100	190	145	40	3.55

MATERIALS	
Body	Brass
Filter	Brass
Plunger	Brass
Seal	NBR
Washer	Fibre

SPECIFICATIONS
Max Working Temperature
70°C
Cold Working Pressure
1600 kPa

STANDARD
Thread
BSP to ISO 228-1

VALVES

GALVANISED
MALLEABLESTAINLESS
STEEL FITTINGSBLACK & GAL
STEEL FITTINGSHIGH PRESSURE
FITTINGS

CAMLOCKS

ROLL GROOVE

BUTTWELD

FLANGES