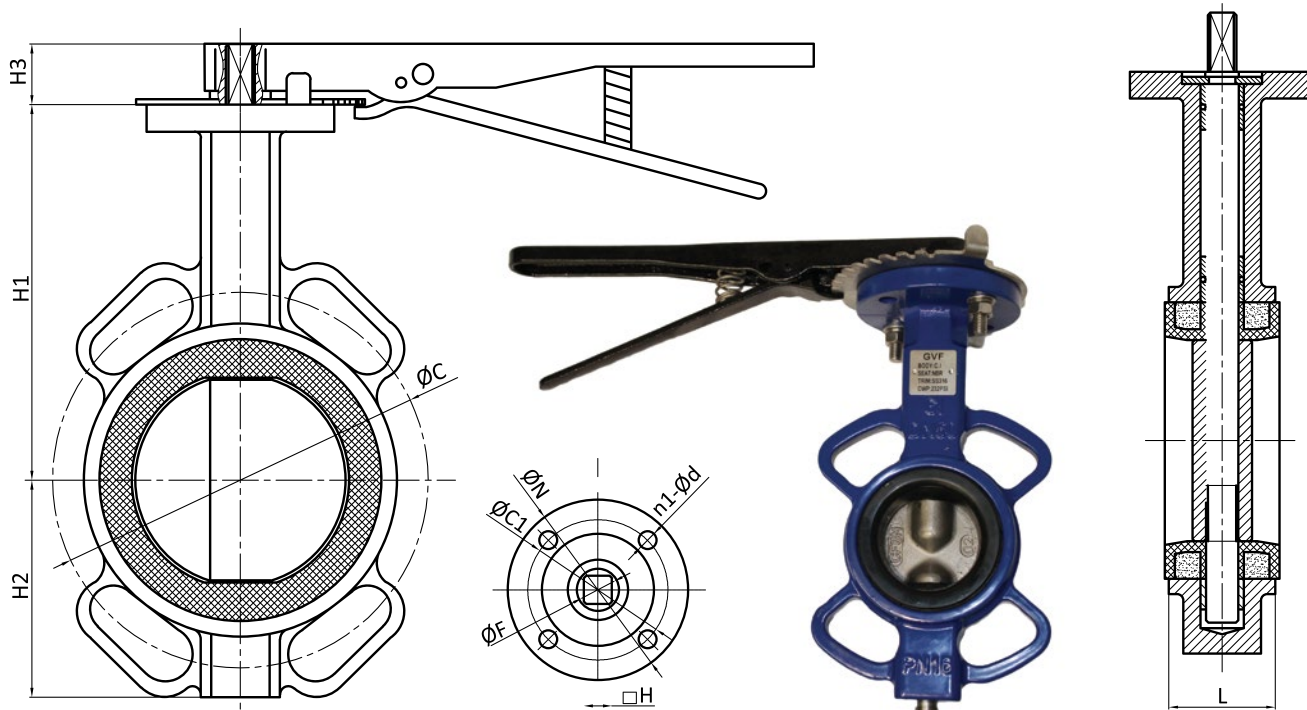


WAFER BUTTERFLY VALVES - EPDM

BUTTERFLY VALVES



GVF CODE	DN SIZE (mm)	H1 (mm)	H2 (mm)	H3 (mm)	L (mm)	ØN (mm)	ØC1 (mm)	n1-Ød (mm)	ØC (mm)	ØF (mm)	H (mm)	WEIGHT (kg)
BFVE050	50	140	80	29	43	90	70	4-10	114	14.1	11	3.27
BFVE065	65	155	89	29	46	90	70	4-10	127	14.1	11	3.81
BFVE080	80	160	95	29	46	90	70	4-10	146	14.1	11	4.25
BFVE100	100	180	104	29	52	90	70	4-10	178	18.1	14	4.93
BFVE125	125	193	120	29	56	90	70	4-10	210	22.2	17	6.74
BFVE150	150	200	145	29	56	90	70	4-10	235	22.2	17	7.98
BFVE200	200	240	175	35.5	60	125	102	4-12	292	22.2	17	13.35
BFVE250	250	272	203	35.5	68	125	102	4-12	356	28.2	22	19.50
BFVE300	300	317	242	35.5	78	125	102	4-12	406	28.2	22	29.03

MATERIALS	
Body	Cast Iron
Disc	CF8M
Stem	SS416
Seat	EPDM

SPECIFICATIONS
Max Working Temperature
120°C
Cold Working Pressure
1600 kPa

STANDARD
General
ISO 5752
Face to Face
ISO 5752
Pressure Test
API 598
Mounting Pad
ISO 5211
Flange Drilling
AS2129 Table E / DIN / ANSI / JIS

VALVES

GALVANISED
MALLEABLESTAINLESS
STEEL FITTINGSBLACK & GAL
STEEL FITTINGSHIGH PRESSURE
FITTINGS

CAMLOCKS

ROLL GROOVE

BUTTWELD

FLANGES