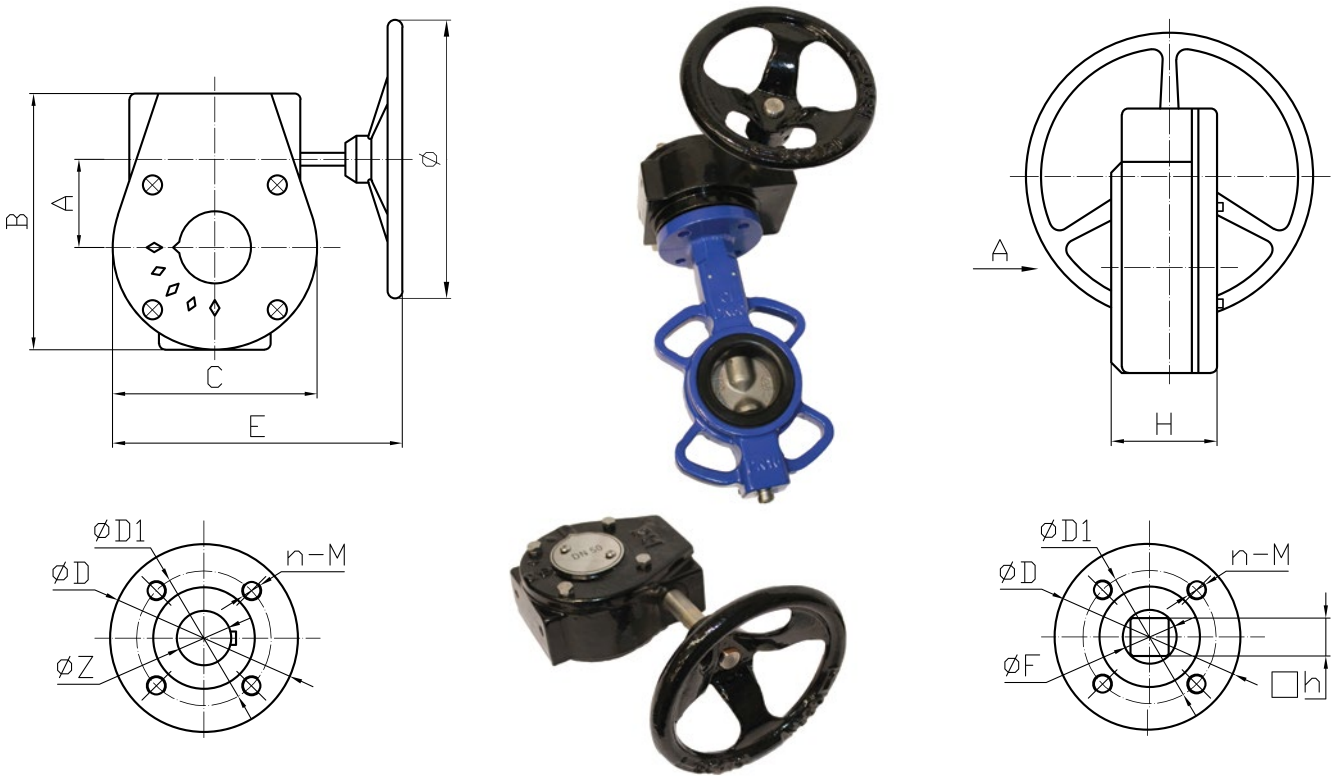


GEARBOX OPERATOR BUTTERFLY VALVES

VALVES
GALVANISED
MALLEABLE
STAINLESS
STEEL FITTINGS
BLACK & GAL
STEEL FITTINGS
HIGH PRESSURE
FITTINGS
CAMLOCKS
ROLL GROOVE
BUTTWELD
FLANGES



GVF CODE	SUITS (mm)	TOP FLG	A (mm)	B (mm)	C (mm)	Ø (mm)	E (mm)	H (mm)	ØD (mm)	ØD1 (mm)	n-M (mm)	ØZ (mm)	ØF (mm)	h (mm)	WEIGHT (kg)
BFVGB080	50-80	F05	45	125	102	147	205	65	65	50	4xM6	12.6	12.1	9	4.41
BFVGB100	100	F07	45	125	102	147	205	65	92	70	4xM8	15.77	14.1	14	4.51
BFVGB150	125-150	F07	45	125	102	147	205	65	92	70	4xM8	18.92	18.1	17	4.47
BFVGB200	200	F10	63	167	141	285	295	79	125	102	4xM10	22.1	22.1	17	8.16
BFVGB250	250	F10	63	167	141	285	295	79	125	102	4xM10	28.45	28.2	22	8.16
BFVGB300	300	F10	80	188	151	285	291	80	125	102	4xM10	31.6	28.2	22	9.47

MATERIALS	
Body	Cast Iron

SPECIFICATIONS
ISO 5211 Mounting