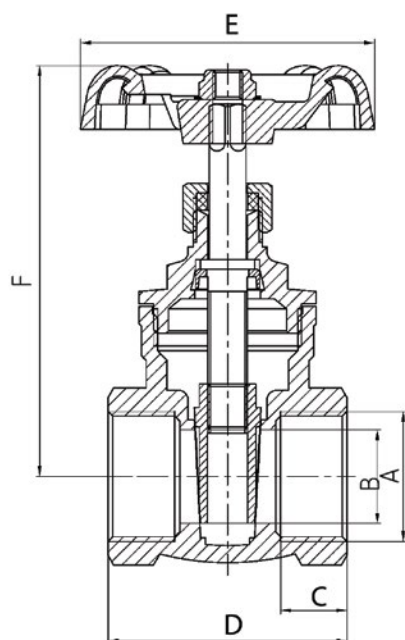


BRASS GATE VALVE (DL)

BRASS VALVES



GVF CODE	DN SIZE (mm)	B (mm)	C (mm)	D (mm)	E (mm)	F (mm)	WEIGHT (kg)
BGV015	15	14	12	42.5	53.5	72	0.28
BGV020	20	19	13.5	48.5	53.5	81	0.38
BGV025	25	20	14	52	60	92	0.49
BGV032	32	31	15	57	73	113	0.78
BGV040	40	36	15.5	62	73	122	0.98
BGV050	50	47	17	70	73	145	1.47
BGV065	65	60	19	80	99	175	2.6
BGV080	80	75	22.5	97	108	209	3.92
BGV100	100	90	23.5	102	144	240	6.1

MATERIALS	
Body	Brass
Gate	Brass
Gasket	PTFE
Bonnet	Brass
Lock Cap	Brass
Stem	Brass
Handwheel	Cast Iron
Nut	Stainless Steel

SPECIFICATIONS
Max Working Temperature
120°C
Cold Working Pressure
1600 kPa

STANDARD
Thread
BSP to ISO 228-1

VALVES

GALVANISED
MALLEABLESTAINLESS
STEEL FITTINGSBLACK & GAL
STEEL FITTINGSHIGH PRESSURE
FITTINGS

CAMLOCKS

ROLL GROOVE

BUTTWELD

FLANGES