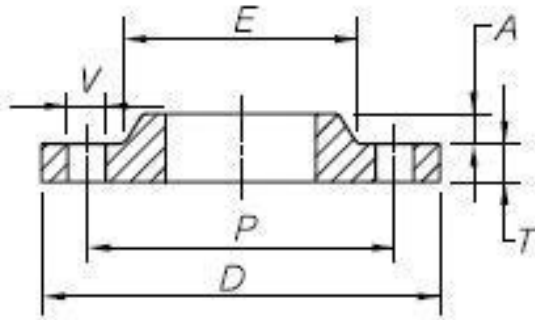


# TABLE "D/E/H" BOSS THREADED PLATE FLANGES



Nominal Pipe Size (mm)	GVF Code Table D&E	OD of Flange D (mm)	Bolt Circle Diameter P (mm)	Bolt Hole Diameter V (mm)	Number of Bolt Holes	Thickness of Flange T (mm)	Length of Boss A (mm)	Diameter of Boss E (mm)	Weight Approx. (Kg)
15	BSBTHE015	95	67	14	4	12	10	38	0.35
20	BSBTHE020	100	73	14	4	12	11	44	0.5
25	BSBTHE025	115	83	14	4	12	11	52	0.65
32	BSBTHE032	120	87	14	4	12	11	58	0.97
40	BSBTHE040	135	98	14	4	12	13	70	1.25
50	BSBTHE050	150	114	18	4	12	13	79	1.51
65	BSBTHE065	165	127	18	4	12	16	93	2.09
80	BSBTHE080	185	146	18	4	12	16	112	3.29
100	BSBTHE100	215	178	18	8	13	19	140	5.98
100	BSBTHD100	215	178	18	4	12	19	140	2.59
150	BSBTHD150	280	235	18	8	13	19	197	5

Nominal Pipe Size (mm)	GVF Code Table H	OD of Flange D (mm)	Bolt Circle Diameter P (mm)	Bolt Hole Diameter V (mm)	Number of Bolt Holes	Thickness of Flange T (mm)	Length of Boss A (mm)	Diameter of Boss E (mm)	Weight Approx. (Kg)
25	BSBTHH025	120	87	18	4	14	11	52	1.18
32	BSBTHH032	135	98	18	4	17	11	64	1.54
40	BSBTHH040	140	105	18	4	17	13	70	1.89
50	BSBTHH050	165	127	18	4	19	13	93	2.97
65	BSBTHH065	185	146	18	8	19	16	112	3.98
80	BSBTHH080	205	165	18	8	22	16	130	5.03
100	BSBTHH100	230	191	18	8	25	19	152	6.81

MATERIALS
Q235B / Rst37.2
Plate Steel
Table D/E available in HDG

SPECIFICATIONS
Ambient Pressure Rating
Table D = 700 kPa
Table E = 1400 kPa
Table H = 3500 kPa

STANDARD
Dimensional
AS2129

VALVES  
GALVANISED MALLEABLE  
STAINLESS STEEL FITTINGS  
BLACK & GALVANIZED STEEL FITTINGS  
HIGH PRESSURE FITTINGS  
CAMLOCKS  
ROLL GROOVE  
BUTTWELD  
FLANGES