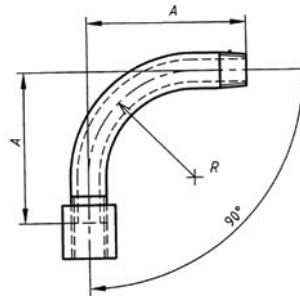
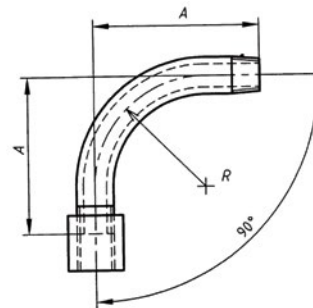


BENDS 90°

STEEL FITTINGS



GVF CODE		DN SIZE (mm)	A (mm)	R (mm)	WEIGHT (kg)
BLACK STEEL	GAL STEEL				
BSBMM015	GSBMM015	15	86	57	0.23
BSBMM020	GSBMM020	20	102	73	0.39
BSBMM025	GSBMM025	25	121	89	0.62
BSBMM032	GSBMM032	32	146	108	0.78
BSBMM040	GSBMM040	40	165	127	1.16
BSBMM050	GSBMM050	50	203	159	2.12
BSBMM065	GSBMM065	65	248	197	3.86
BSBMM080	GSBMM080	80	292	232	5.81
BSBMM100	GSBMM100	100	381	308	11.14



GVF CODE	DN SIZE (mm)	A (mm)	R (mm)	WEIGHT (kg)
BEB015	15	86	57	0.23
BEB020	20	102	73	0.29
BEB025	25	121	89	0.50
BEB032	32	146	108	0.91
BEB040	40	165	127	1.56
BEB050	50	203	159	2.56
BEB065	65	248	197	3.27
BEB080	80	292	232	5.06
BEB100	100	381	308	8.53

MATERIALS	
Carbon Steel	0.25% Max C
Galvanising	HDG
Zinc Plating	EZP

SPECIFICATIONS
Thread
BSP to ISO 7-1

STANDARD
Manufacturing
EN10241-2000

VALVES
GALVANISED MALLEABLE
STAINLESS STEEL FITTINGS
BLACK & GAL STEEL FITTINGS
HIGH PRESSURE FITTINGS
CAMLOCKS
ROLL GROOVE
BUTT WELD
FLANGES