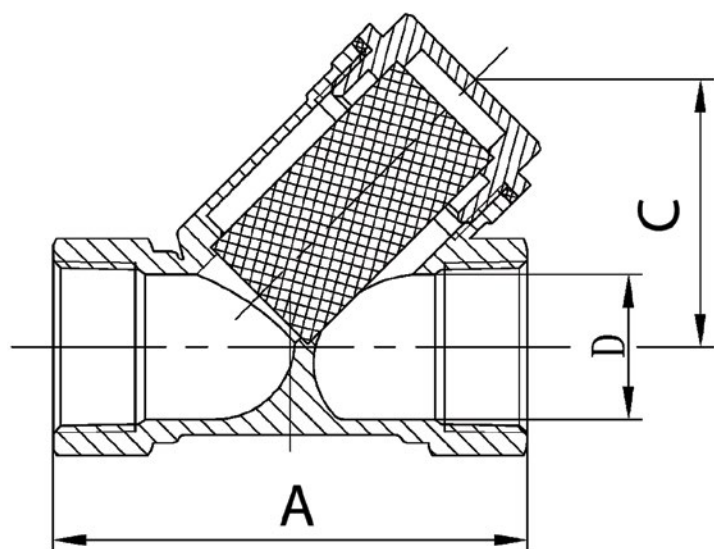


BRASS 'Y' STRAINER (DL)

BRASS VALVES



| GVF CODE | DN SIZE (mm) | A (mm) | C (mm) | D (mm) | MESH (US) | WEIGHT (kg) |
|----------|--------------|--------|--------|--------|-----------|-------------|
| BYS015 | 15 | 56.5 | 32.5 | 18 | 40 | 0.14 |
| BYS020 | 20 | 69 | 36 | 22.5 | 40 | 0.2 |
| BYS025 | 25 | 80 | 42 | 28.5 | 40 | 0.3 |
| BYS032 | 32 | 96 | 52.5 | 36 | 40 | 0.6 |
| BYS040 | 40 | 105 | 61.5 | 42.5 | 40 | 0.75 |
| BYS050 | 50 | 125 | 75 | 54 | 20 | 1.29 |
| BYS065 | 65 | 134.5 | 85 | 65 | 20 | 1.9 |
| BYS080 | 80 | 156 | 101 | 76 | 10 | 2.68 |
| BYS100 | 100 | 181.5 | 123 | 97 | 10 | 4.53 |

| MATERIALS | |
|-----------|-----------------|
| Body | Brass |
| Strainer | Stainless Steel |
| Gasket | Fibre |

| SPECIFICATIONS |
|-------------------------|
| Max Working Temperature |
| 80°C |
| Cold Working Pressure |
| 1600 kPa |

| STANDARD |
|------------------|
| Thread |
| BSP to ISO 228-1 |

VALVES

GALVANISED
MALLEABLESTAINLESS
STEEL FITTINGSBLACK & GAL
STEEL FITTINGSHIGH PRESSURE
FITTINGS

CAMLOCKS

ROLL GROOVE

BUTTWELD

FLANGES