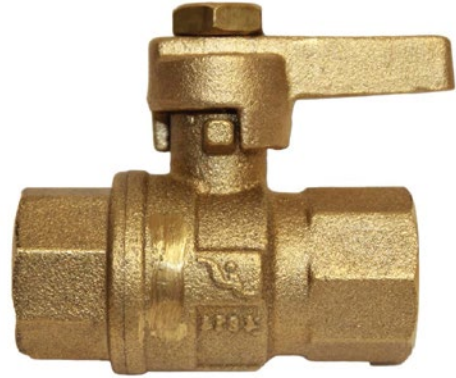
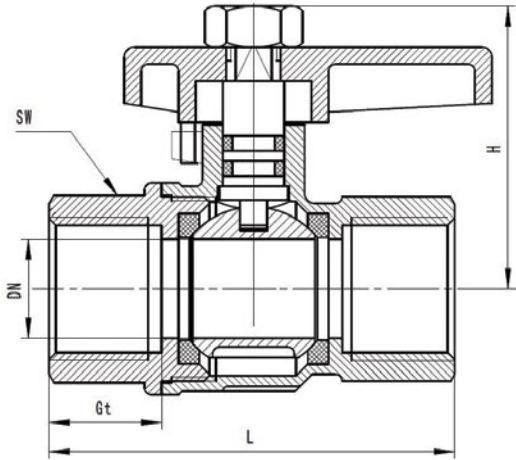
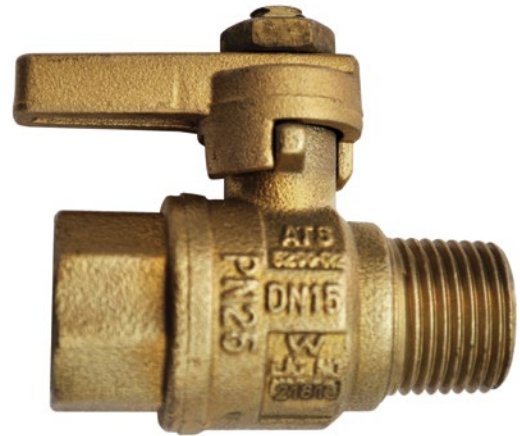
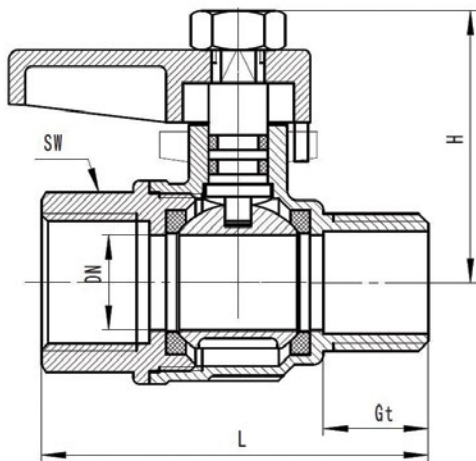


DR BRASS BALL VALVE 'T' HANDLE

DR VALVES



GVF CODE	DN SIZE (mm)	DN BORE (mm)	L (mm)	H (mm)	SW (mm)	Gt (mm)	WEIGHT (kg)
DBBVT015	15	14.5	59.5	41	25	16.5	0.2
DBBVT020	20	19	66.5	46	31	18	0.32
DBBVT025	25	24.5	75	50	37	18.5	0.51



GVF CODE	DN SIZE (mm)	DN BORE (mm)	L (mm)	H (mm)	SW (mm)	Gt (mm)	WEIGHT (kg)
DBBVMFT015	15	14.5	59	41	25	16	0.2
DBBVMFT020	20	19	65.5	46	31	17	0.32
DBBVMFT025	25	24.5	75	50	37	18.5	0.5

MATERIALS	
Body	DZR Brass
Bonnet	DZR Brass
Seal	PTFE
Ball	CP DZR Brass
O Ring	Viton
Stem	DZR Brass
Handle	Brass
Nut	Brass

SPECIFICATIONS	
Max Working Temperature	150°C
Cold Working Pressure	2500 kPa

STANDARD	
Thread	BSP to ISO 7-1

