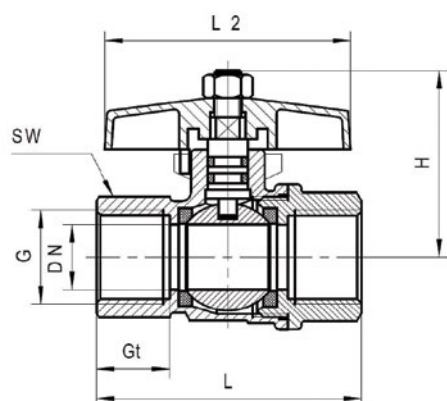
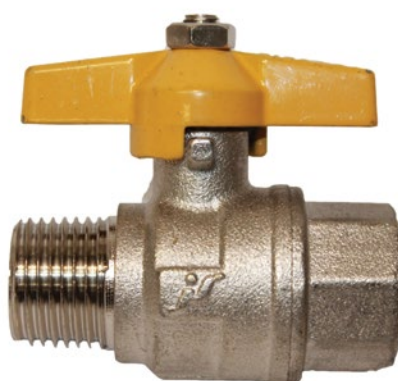
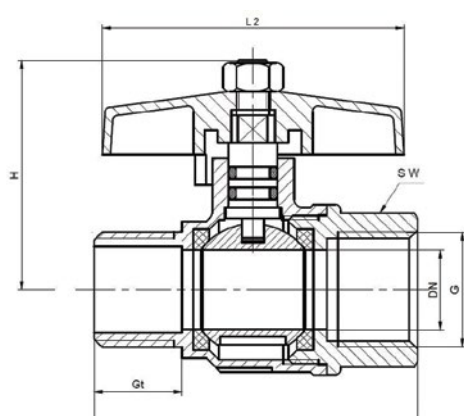


# GAS "T" HANDLE BALL VALVES

## GAS APPROVED VALVES



| GVF CODE | DN SIZE (mm) | DN BORE (mm) | L (mm) | H (mm) | SW (mm) | Gt (mm) | WEIGHT (kg) |
|----------|--------------|--------------|--------|--------|---------|---------|-------------|
| GBBVT008 | 8            | 8            | 49     | 37     | 21      | 13      | 0.15        |
| GBBVT010 | 10           | 9.7          | 49     | 37     | 21      | 13      | 0.15        |
| GBBVT015 | 15           | 14.5         | 59.5   | 42     | 25      | 16.5    | 0.2         |
| GBBVT020 | 20           | 19           | 66.5   | 46     | 31      | 18      | 0.32        |
| GBBVT025 | 25           | 24.5         | 75     | 47.5   | 37      | 18.5    | 0.51        |



| GVF CODE   | DN SIZE (mm) | DN BORE (mm) | L (mm) | H (mm) | SW (mm) | Gt (mm) | WEIGHT (kg) |
|------------|--------------|--------------|--------|--------|---------|---------|-------------|
| GBBVMFT008 | 8            | 8            | 49     | 37     | 21      | 13      | 0.15        |
| GBBVMFT010 | 10           | 9.7          | 49     | 37     | 21      | 13      | 0.15        |
| GBBVMFT015 | 15           | 14.5         | 59     | 41     | 25      | 16      | 0.25        |
| GBBVMFT020 | 20           | 19           | 65.5   | 46     | 31      | 17      | 0.35        |
| GBBVMFT025 | 25           | 24.5         | 75     | 50     | 37      | 18.5    | 0.52        |

| MATERIALS |           |
|-----------|-----------|
| Body      | NP Brass  |
| Seal      | PTFE      |
| Ball      | CP Brass  |
| O Ring    | Viton     |
| Stem      | NP Brass  |
| Handle    | Aluminium |

| SPECIFICATIONS          |
|-------------------------|
| Max Working Temperature |
| 80°C                    |
| Cold Working Pressure   |
| 2500 kPa                |

| STANDARD       |
|----------------|
| Thread         |
| BSP to ISO 7-1 |

