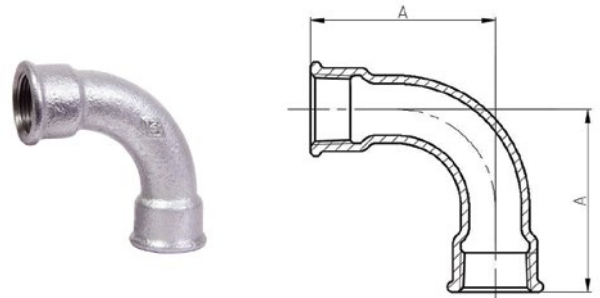
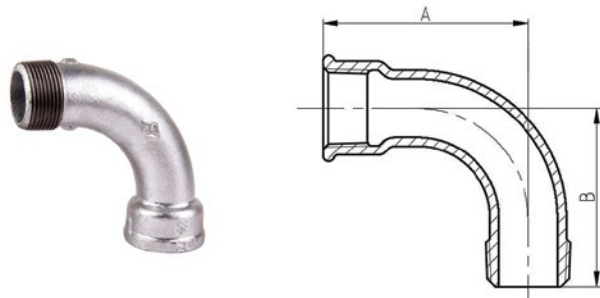


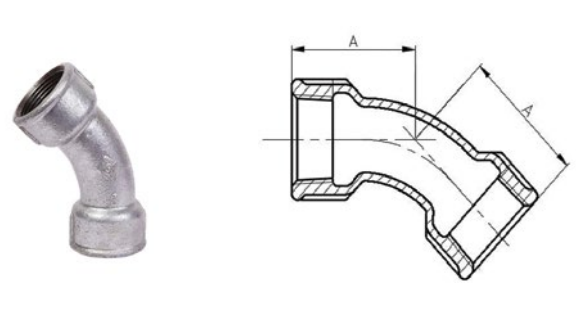
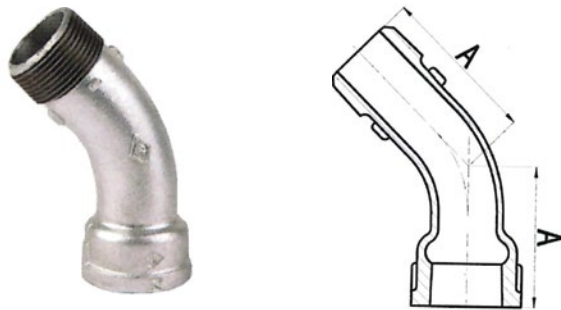
# SWEEPING BENDS

## GALVANISED MALLEABLE FITTINGS



GVF CODE M&F 90°	DN SIZE (mm)	A (mm)	B (mm)	WEIGHT (kg)
GMBMF90015	15	55	48	0.12
GMBMF90020	20	69	60	0.19
GMBMF90025	25	85	75	0.31
GMBMF90032	32	105	95	0.53
GMBMF90040	40	116	105	0.68
GMBMF90050	50	140	130	1.16
GMBMF90065	65	176	165	2.11
GMBMF90080	80	205	190	3.11
GMBMF90100	100	260	245	5.78

GVF CODE F&F 90°	DN SIZE (mm)	A (mm)	WEIGHT (kg)
GMBFF90015	15	55	0.15
GMBFF90020	20	69	0.23
GMBFF90025	25	85	0.38
GMBFF90032	32	105	0.62
GMBFF90040	40	116	0.83
GMBFF90050	50	140	1.37
GMBFF90065	65	176	2.28
GMBFF90080	80	205	3.33
GMBFF90100	100	260	6.22



GVF CODE M&F 45°	DN SIZE (mm)	A (mm)	B (mm)	WEIGHT (kg)
GMBMF45015	15	36	30	0.1
GMBMF45020	20	43	36	0.14
GMBMF45025	25	51	42	0.22
GMBMF45032	32	64	54	0.33
GMBMF45040	40	68	58	0.45
GMBMF45050	50	81	70	0.77

GVF CODE F&F 45°	DN SIZE (mm)	A (mm)	WEIGHT (kg)
GMBFF45015	15	36	0.11
GMBFF45020	20	43	0.16
GMBFF45025	25	51	0.24
GMBFF45032	32	64	0.34
GMBFF45040	40	68	0.47
GMBFF45050	50	81	0.69
GMBFF45065	65	99	1.25
GMBFF45080	80	113	2.05
GMBFF45100	100	142	3.4

MATERIALS
Galvanised Malleable
Ductile Iron BS EN 1562

SPECIFICATIONS
Thread
BSP to ISO 7-1
Cold Working Pressure
1000 kpa

STANDARD
Dimensional
BS EN 10242