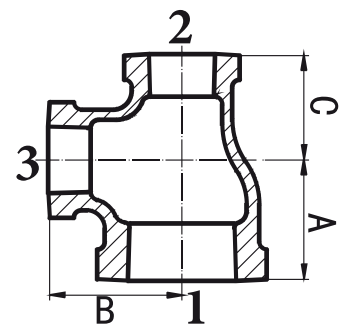
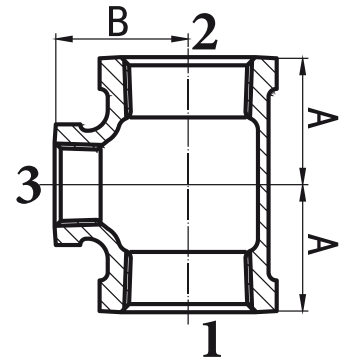


REDUCING TEE

GALVANISED MALLEABLE FITTINGS

VALVES
 GALVANISED MALLEABLE
 STAINLESS STEEL FITTINGS
 BLACK & GAL STEEL FITTINGS
 HIGH PRESSURE FITTINGS
 CAMLOCKS
 ROLL GROOVE
 BUTTWELD
 FLANGES

GVF CODE	DN SIZE 1 (mm)	DN SIZE 2 (mm)	DN SIZE 3 (mm)	A (mm)	B (mm)	C (mm)	WEIGHT (kg)
GMRT2015	20	20	15	30	31	-	0.18
GMRT2510	25	25	10	30	32	-	0.22
GMRT2515	25	25	15	32	34	-	0.24
GMRT2520	25	25	20	35	36	-	0.27
GMRT2532	25	25	32	42	40	-	0.36
GMRT2540	25	25	40	46	42	-	0.42
GMRT2550	25	25	50	51	48.5	-	0.55
GMRT3215	32	32	15	34	38	-	0.35
GMRT3220	32	32	20	36	41	-	0.36
GMRT3225	32	32	25	40	42	-	0.42
GMRT322515	32	25	15	34	38	32	0.31
GMRT322525	32	25	25	40	42	38	0.35
GMRT322532	32	25	32	45	45	42	0.42
GMRT322540	32	25	40	45	45	44	0.44
GMRT3240	32	32	40	48	46	-	0.55
GMRT3250	32	32	50	54	48	-	0.69
GMRT4015	40	40	15	36	42	-	0.4
GMRT4020	40	40	20	38	44	-	0.42
GMRT4025	40	40	25	42	46	-	0.49
GMRT402525	40	25	25	42	46	38	0.4
GMRT4032	40	40	32	46	48	-	0.54
GMRT403215	40	32	15	36	42	34	0.39
GMRT403225	40	32	25	42	46	40	0.46
GMRT403232	40	32	32	46	48	45	0.55
GMRT403240	40	32	40	50	50	48	0.54
GMRT403250	40	32	50	55	51.5	53.5	0.56
GMRT4050	40	40	50	55	52	-	0.57
GMRT5015	50	50	15	38	48	-	0.6
GMRT5020	50	50	20	40	50	-	0.65
GMRT5025	50	50	25	44	52	-	0.69
GMRT502525	50	25	25	44	51	38	0.55
GMRT5032	50	50	32	48	54	-	0.75
GMRT503250	50	32	50	58	58	54	0.57
GMRT5040	50	50	40	52	55	-	0.81
GMRT504015	50	40	15	38	48	36	0.53
GMRT5065	50	50	65	64	59	-	1.1
GMRT8050	80	80	50	64	73	-	1.58



MATERIALS

Galvanised Malleable
 Ductile Iron BS EN 1562

SPECIFICATIONS

Thread - BSP to ISO 7-1
 Cold Working Pressure - 1000 kPa

STANDARD

Dimensional
 BS EN 10242