

COUPLINGS & CAP

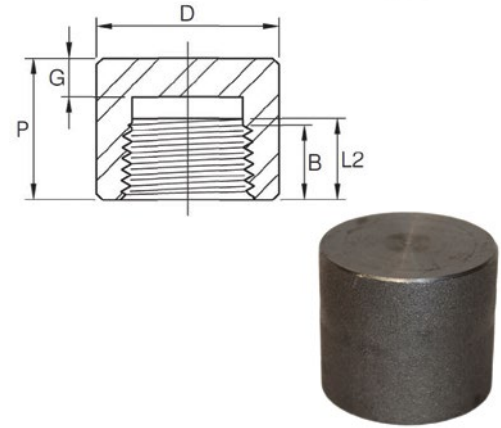
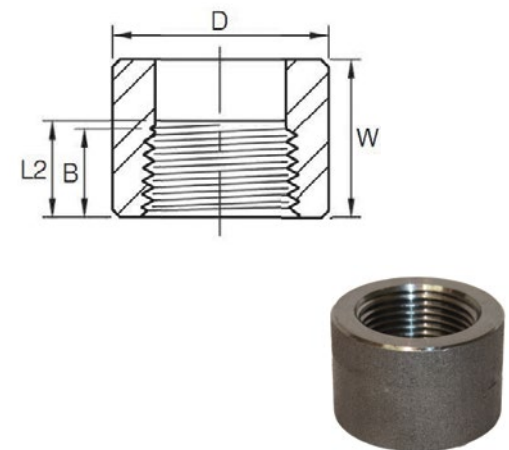
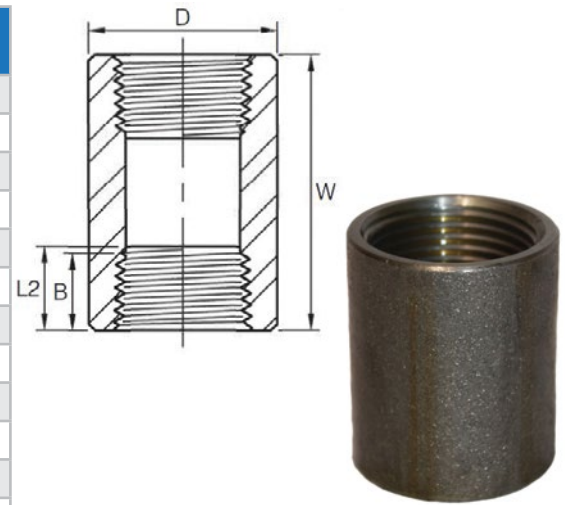
HIGH PRESSURE - CLASS 3000LB

 VALVES
 GALVANISED MALLEABLE
 STAINLESS STEEL FITTINGS
 BLACK & GAL STEEL FITTINGS
 HIGH PRESSURE FITTINGS
 CAMLOCKS
 ROLL GROOVE
 BUTTWELD
 FLANGES

GVF CODE FULL CP	DN SIZE (mm)	B (mm)	L2 (mm)	W (mm)	D (mm)	WEIGHT (kg)
HPFC006	6	6.4	6.7	32	16	0.04
HPFC008	8	8.1	10.2	35	19	0.05
HPFC010	10	9.1	10.4	38	22	0.07
HPFC015	15	10.9	13.6	48	28	0.14
HPFC020	20	12.7	13.9	51	35	0.23
HPFC025	25	14.7	17.3	60	44	0.45
HPFC032	32	17	18	67	57	0.73
HPFC040	40	17.8	18.4	79	64	1.18
HPFC050	50	19	19.2	86	76	1.4
HPFC065	65	23.6	28.9	92	92	2.29
HPFC080	80	25.9	30.5	108	108	3.38
HPFC0100	100	27.7	33	121	140	5.65

GVF CODE HALF CP	DN SIZE (mm)	B (mm)	L2 (mm)	W (mm)	D (mm)	WEIGHT (kg)
HPHC008	8	8.1	10.2	17.5	19	0.03
HPHC010	10	9.1	10.4	19	22	0.03
HPHC015	15	10.9	13.6	24	28	0.06
HPHC020	20	12.7	13.9	25.5	35	0.11
HPHC025	25	14.7	17.3	30	44	0.23
HPHC032	32	17	18	33.5	57	0.37
HPHC040	40	17.8	18.4	39.5	64	0.54
HPHC050	50	19	19.2	43	76	0.7
HPHC065	65	23.6	28.9	46	92	1.13
HPHC080	80	25.9	30.5	54	108	1.68
HPHC0100	100	27.7	33	60.5	140	3.11

GVF CODE CAP	DN SIZE (mm)	B (mm)	L2 (mm)	P (mm)	D (mm)	G (mm)	WEIGHT (kg)
HPCAP008	8	8.1	10.2	25	19	4.8	0.04
HPCAP010	10	9.1	10.4	25	22	4.8	0.05
HPCAP015	15	10.9	13.6	32	28	6.4	0.11
HPCAP020	20	12.7	13.9	37	35	6.4	0.18
HPCAP025	25	14.7	17.3	41	44	9.7	0.33
HPCAP032	32	17	18	44	57	9.7	0.62
HPCAP040	40	17.8	18.4	44	64	11.2	0.72
HPCAP050	50	19	19.2	48	76	12.7	1.09



MATERIALS
Forged Carbon Steel
Also available in Hot Dipped Gal

SPECIFICATIONS
Thread
BSPT & NPT

STANDARD
Material
ASTM A105
Dimensional
ASME B16.11