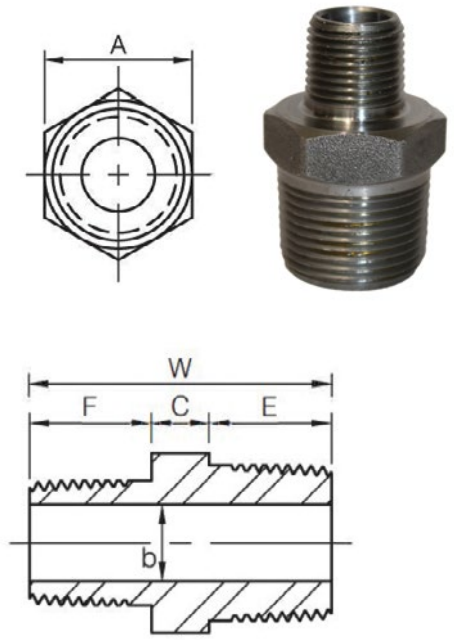


HEX REDUCING NIPPLE & HEX REDUCING BUSH

HIGH PRESSURE - CLASS 3000LB

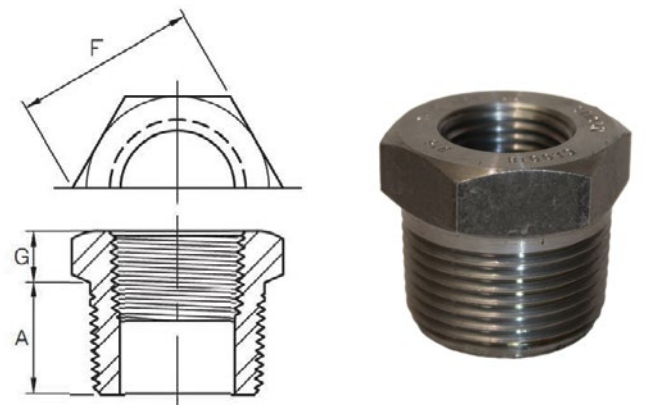
VALVES
 GALVANISED MALLEABLE
 STAINLESS STEEL FITTINGS
 BLACK & GAL STEEL FITTINGS
 HIGH PRESSURE FITTINGS
 CAMLOCKS
 ROLL GROOVE
 BUTTWELD
 FLANGES

GVF CODE HEX REDUCING NIPPLE	DN SIZE (mm)	A (mm)	W (mm)	E (mm)	B (mm)	C (mm)	F (mm)	WEIGHT (kg)
HPRN0806	8x6	15	31	15	5	6	10	0.03
HPRN1008	10x8	18	39	16	8	8	15	0.04
HPRN1508	15x8	22	43	20	8	8	15	0.08
HPRN1510	15x10	22	44	20	11	8	16	0.08
HPRN2010	20x10	27	46	21	11	9	16	0.12
HPRN2015	20x15	27	50	21	14	9	20	0.12
HPRN2515	25x15	35	55	25	14	10	20	0.24
HPRN2520	25x20	35	56	25	19	10	21	0.24
HPRN3225	32x25	46	66	26	24	15	25	0.39
HPRN4025	40x25	50	67	26	24	16	25	0.38
HPRN4032	40x32	50	68	26	30	16	26	0.38
HPRN5025	50x25	62	70	27	24	18	25	1
HPRN5032	50x32	62	71	27	30	18	26	1
HPRN5040	50x40	62	70	27	38	17	26	1



GVF CODE HEX BUSH	DN SIZE (mm)	A (mm)	F (mm)	G (mm)	WEIGHT (kg)
HPB0806	8x6	11	15.9	3	0.01
HPB1008	10x8	13	17.5	4	0.01
HPB1508	15x8	14	22.2	5	0.03
HPB1510	15x10	14	22.2	5	0.03
HPB2008	20x8	16	27	6	0.05
HPB2010	20x10	16	27	6	0.05
HPB2015	20x15	16	27	6	0.05
HPB2508	25x8	19	34.9	6	0.09
HPB2510	25x10	19	34.9	6	0.09
HPB2515	25x15	19	34.9	6	0.09
HPB2520	25x20	19	34.9	6	0.09
HPB3215	32x15	21	44.5	7	0.25
HPB3220	32x20	21	44.5	7	0.25
HPB3225	32x25	21	44.5	7	0.25
HPB4020	40x20	21	50.8	8	0.34
HPB4025	40x25	21	50.8	8	0.34
HPB4032	40x32	21	50.8	8	0.34
HPB5015	50x15	22	63.5	9	0.45
HPB5020	50x20	22	63.5	9	0.45
HPB5025	50x25	22	63.5	9	0.45

GVF CODE HEX BUSH	DN SIZE (mm)	A (mm)	F (mm)	G (mm)	WEIGHT (kg)
HPB5032	50x32	22	63.5	9	0.45
HPB5040	50x40	22	63.5	9	0.45
HPB6540	65x40	27	76.2	10	0.6
HPB6550	65x50	27	76.2	10	0.6
HPB8050	80x50	28	88.9	10	1.16
HPB80565	80x65	28	88.9	10	1.16
HPB10050	100x50	32	117.5	13	3.2
HPB10065	100x65	32	117.5	13	3.2
HPB10080	100x80	32	117.5	13	3.2



MATERIALS
Forged Carbon Steel
Also available in Hot Dipped Gal

SPECIFICATIONS
Thread
BSPT & NPT

STANDARD
Material
ASTM A105
Dimensional
ASME B16.11 & BS3799