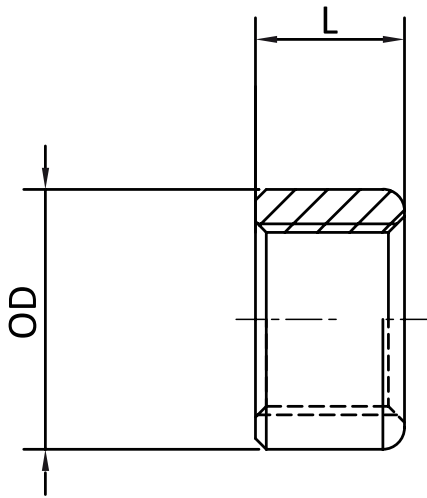


PAP & BLANK END STEEL FITTINGS



GVF CODE	DN SIZE (mm)	OD (mm)	L (mm)	WEIGHT (kg)
PAP10	10	28.6	15.75	0.05
PAP15	15	28.6	15.75	0.04
PAP20	20	36	23	0.09



GVF CODE	DN SIZE (mm)	OD (mm)	THICKNESS (mm)	WEIGHT (kg)
SBE025	25	30	5	0.02
SBE032	32	37	5	0.04
SBE040	40	48	5	0.07
SBE050	50	57	5	0.09
SBE065	65	72	5	0.15
SBE080	80	83	5	0.20
SBE100	100	114	5	0.37
SBE125	125	136	5	0.48
SBE150	150	160	5	0.73

MATERIALS

Carbon Steel	0.25% Max C
--------------	-------------

STANDARD

Thread
BSP to ISO 7-1

VALVES

GALVANISED
MALLEABLESTAINLESS
STEEL FITTINGSBLACK & GAL
STEEL FITTINGSHIGH PRESSURE
FITTINGS

CAMLOCKS

ROLL GROOVE

BUTTWELD

FLANGES