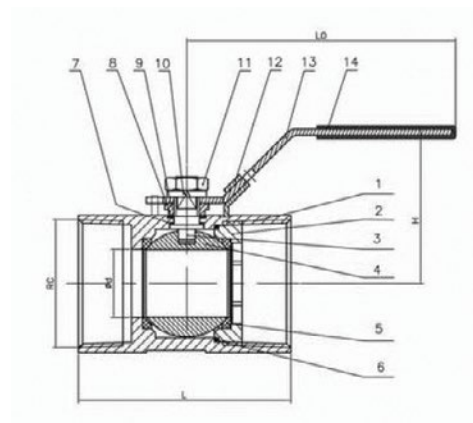


STAINLESS STEEL 1PC BALL VALVE

STAINLESS STEEL VALVES

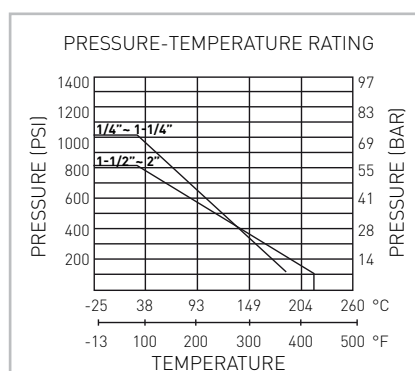


GVF CODE	DN SIZE (mm)	ød (mm)	L (mm)	H (mm)	LO (mm)	WEIGHT (kg)
SSBV1P008	8	5	39.4	29.9	67	0.06
SSBV1P010	10	7	43.7	31.5	67	0.1
SSBV1P015	15	9.2	57	39.4	93	0.16
SSBV1P020	20	12.6	58.5	44	93	0.26
SSBV1P025	25	16	71	54	101	0.38
SSBV1P032	32	20	78	59	101	0.61
SSBV1P040	40	25	82.5	67.5	125	0.85
SSBV1P050	50	32	100	73.5	125	1.4

MATERIALS	
Body	CF8M
Cap	CF8M
Stem	SS316
Ball	CF8M
Seat	PTFE + 3% GF
Gasket	PTFE
Thrust Washer	PTFE
Stem Packing	PTFE
Nut	SS304
Spring Washer	SS304
Nut	SS304
Stopper	SS304
Handle	SS304
Handle Sleeve	PVC

SPECIFICATIONS
Max Working Temperature
150°C @ 75 PSI
Cold Working Pressure
1000 PSI
Not recommended for steam

STANDARD
Thread
BSP to ISO 7-1
Pressure Test
API 598



VALVES

GALVANISED
MALLEABLESTAINLESS
STEEL FITTINGSBLACK & GAL
STEEL FITTINGSHIGH PRESSURE
FITTINGS

CAMLOCKS

ROLL GROOVE

BUTTWELD

FLANGES