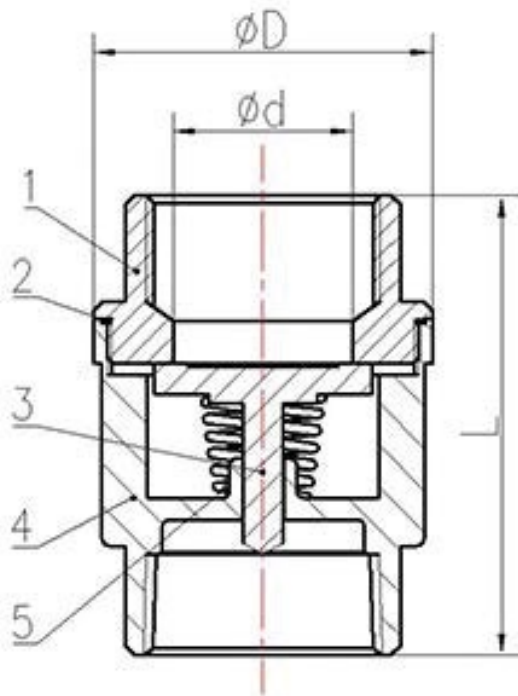


SS316 2PCE CHECK VALVE

STAINLESS STEEL VALVES



GVF CODE	DN SIZE (mm)	d (mm)	D (mm)	L (mm)	WEIGHT (kg)
SSCV2P015	15	15	37	56	0.21
SSCV2P020	20	20	42	63	0.29
SSCV2P025	25	25	48	74	0.4
SSCV2P032	32	30	58	81	0.65
SSCV2P040	40	38	70	91	0.98
SSCV2P050	50	47	82	97	1.4

MATERIALS	
Cap	CF8M
Gasket	PTFE
Disc	CF8M
Body	CF8M
Spring	316

SPECIFICATIONS
Max Working Temperature
180°C
Cold Working Pressure
1000 PSI

STANDARD
Thread
BSP to ISO 7-1
Pressure Test
API 598

VALVES
 GALVANISED
 MALLEABLE
 STAINLESS
 STEEL FITTINGS
 BLACK & GAL
 STEEL FITTINGS
 HIGH PRESSURE
 FITTINGS
 CAMLOCKS
 ROLL GROOVE
 BUTTWELD
 FLANGES